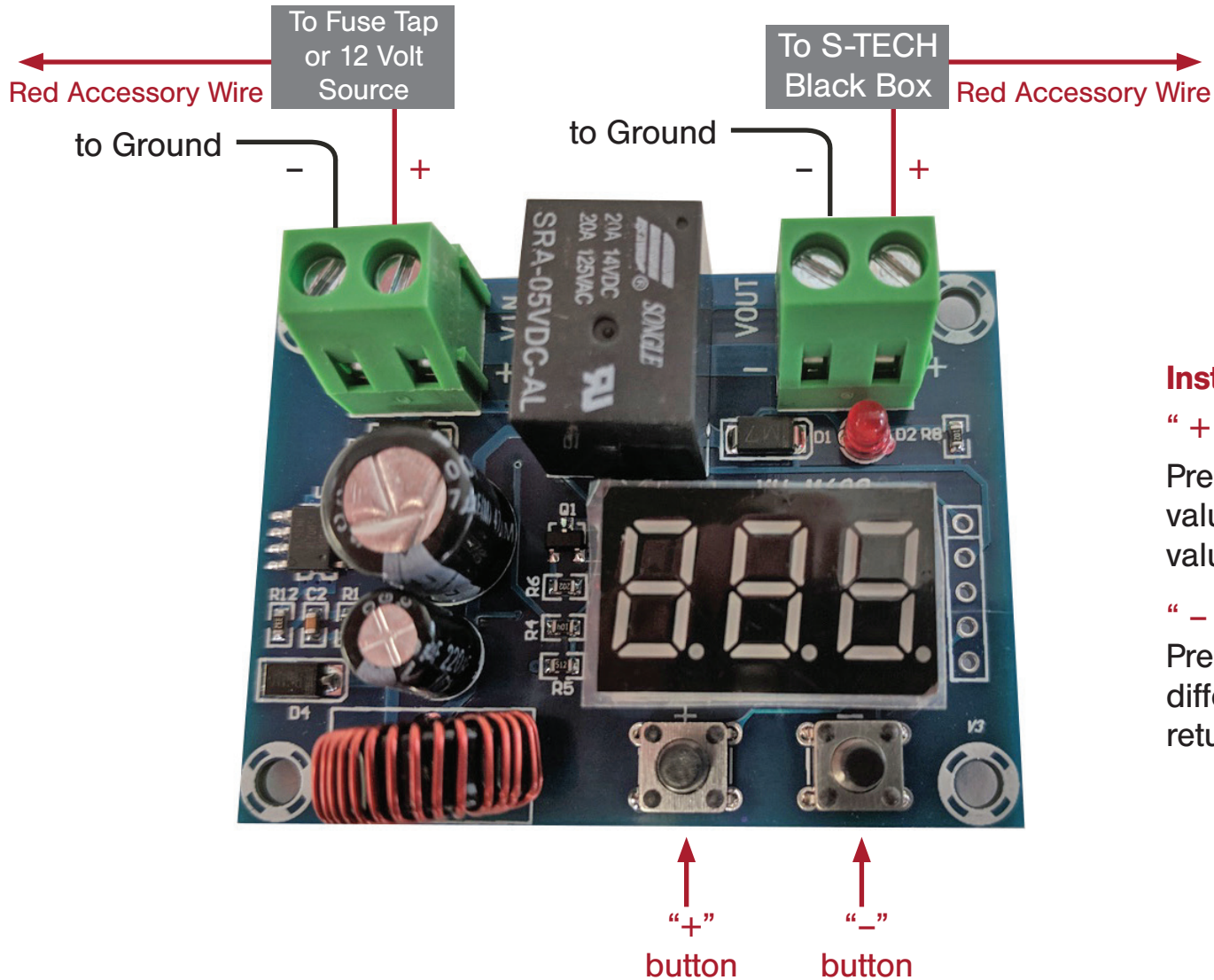


TECH-LITE Low Voltage Adjustable Disconnect

DIRECTION TO ADJUST VOLTAGE



Instructions

“ + ” button:

Press once to display the protection value, long press to set the protection value

“ - ” button:

Press once the display the return difference value, long press to set the return difference value